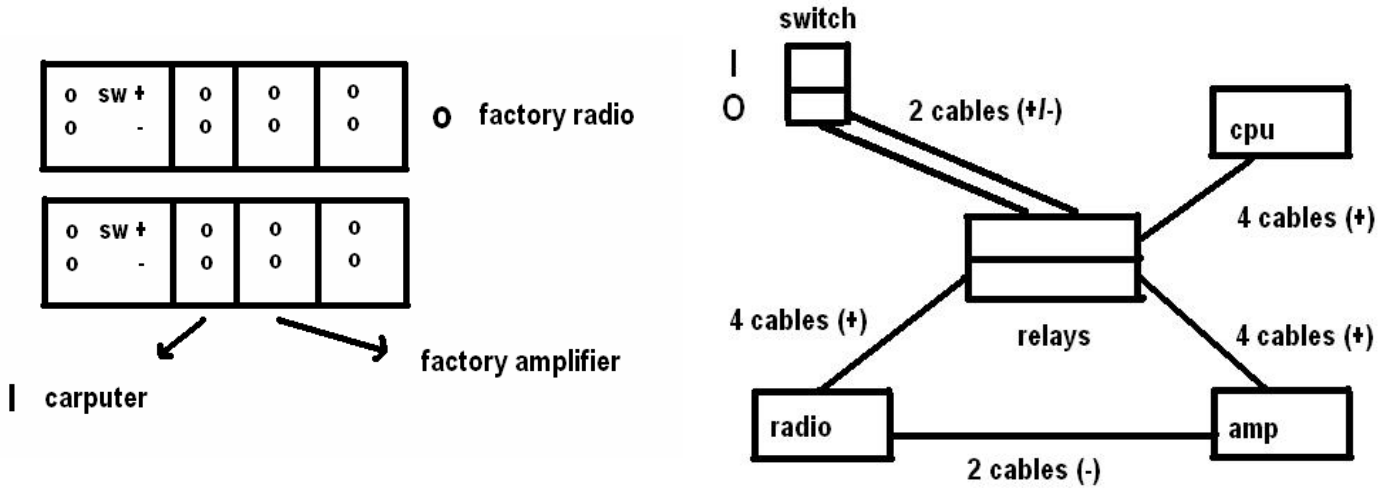


As I explained, you must use any of the empty power sources from the fuse case under the backseat. Under the central console we located 3 fuses and their input is positive (+).

Yellow	20 A	Additional amplifier
Red	10 A	Switch carputer on/off
Orange	5 A	Switch audio relays on/off

To commute the audio signal we must use 2 parallel relays (8 pins)



All the signals from the factory radio ISO to the relays are positive, commuted by the switches located on the cover of the central console (I/O). From the relays we take the audio to the factory amplifier ISO.

